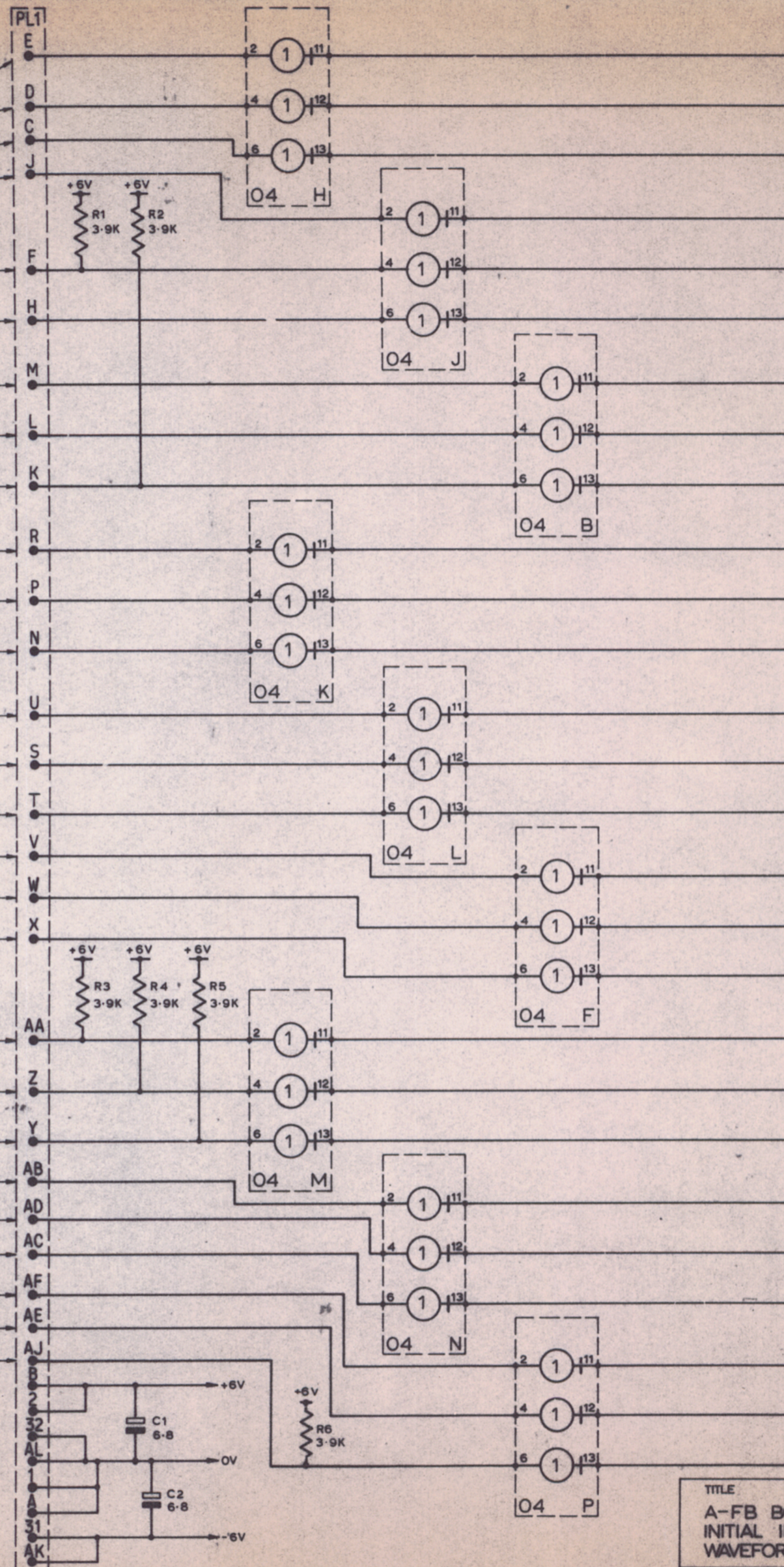


USED ON C4019

BD POSN	W/F	SOURCE	IMMEDIATE CONNECTIONS
8	AA2m	10/D	10/4
9	TNGAm	19/W	
34			
8	ETJm	15/J	
9	XTFm	12/J	
34			
8	FTGm	11/F	11/6
9	PTG1-m	10/P	11/P
34			
8	VTGm	15/H	
9	JTPCm	11/H	
34			
8	WFRm	19/M	
9	CLEARm	11/M	
34			
8	READm	11/L	
9	YTXm	12/M	12/11
34			
8	WRITEm	11/K	
9	WFPm	10/J	11/J
34			
8	MTIm	19/R	
9	RTGm	12/R	
34	II2m	35/R	36/R
8	DTEm	19/P	
9	MTFm	12/P	12/13
34	II1m	35/P	36/P
8	ITFm	11/N	11/12
9	PTG2-m	10/N	
34	II17m	35/AH	36/AH
8	OTJm	13/S	
9	KTJm	13/U	
34	II5m	35/U	36/U
8	K1m	18/S	19/5
9	SZ1-m	10/S	11/5
34	II3m	35/S	36/5
8	TXQ1m	14/AA	
9	K2m	13/T	
34	II4m	35/T	36/T
8	OTXm	12/X	
9	TM12-m	10/U	
34	II6m	35/V	36/V
8	TM18m	15/T	
9	II8m	35/X	36/X
8	GTMm	11/AA	
9	OTMm	13/Z	10/AA
34	II11m	35/AA	36/AA
8	TM11m	10/T	
9	MTPm	10/Z	11/Z
34	II10m	35/Z	36/Z
8	WTMm	19/Y	
9	ATFm	11/Y	
34	II9m	35/Y	36/Y
8	DTF2m	15/AC	
9	1TPCm	11/AD	
34	II14m	35/AD	36/AD
8	GTJm	11/AF	11/28
9			
34	II16m	35/AF	36/AF
8	GTAm	10/AE	10/27
9	PTRm	10/AB	
34	II15m	35/AE	36/AE
8	MTFm	11/AJ	11/30
9	QTFm	11/AJ	11/29
34	II18m	35/AJ	36/AJ



BD POSN	W/F	FINAL DEST.	IMMEDIATE CONNECTIONS
8	AA3	21/E	
9	TM13	7/7	
34			
8	AA1	21/C	
9	TXM18	7/3	
34			
8	ETJa	22/12	
9	XTF	57/J	
34			
8	FTGa	47/C	
9	PTG1a	47/K	
34			
8	VTGa	4/4	47/P
9	JTPCa	47/AA	5/4
34			
8	WFRa	5/N	
9	CLEAR	57/R	
34			
8	READ	57/P	
9	YTX	5/9	
34			
8	WRITE	57/N	
9	WFP	4/K	
34			
8	MTIa	5/12	
9	RTGa	47/E	
34	II2	55/25	
8	DTE	3/8	
9	MTFa	47/W	
34	II1	56/25	
8	PTGa	47/M	
9	II17	38/25	
34			
8	OTJa	5/M	
9	KTJa	6/AF	
34	II5	52/25	
8	K1	6/24	
9	SZ1	30/J	
34	II3	54/25	
8	TXQ1	7/16	5/F
9	K2	6/20	
34	II4	53/25	
8	OTXa	5/E	
9	TM12	7/14	
34	II6	51/25	
8	TM12, TM13	6/U	
9	TPCO	22/W	
34	II7	50/25	
8	TM18	7/8	
9	II8	49/25	
34			
8	GTMa	46/W	
9	OTMa	46/S	
34	II11	44/25	
8	TM11	7/22	
9	MTPa	46/Y	47/Y
34	II10	45/25	
8	WTMa	4/6	46/U
9	ATFa	47/AC	
34	II9	48/25	
8	GTGa	46/AC	
9	JTFa	47/S	
34	II12	43/25	
8	DTFa	37/29	41/29
9	1TPCa	5/D	
34	II14	41/25	
8	DTF1a	5/S	
9	LTGa	47/H	
34	II13	42/25	
8	GTJa	46/P	
9			
34	II16	39/25	
8	GTa	46/AA	
9	PTR	3/28	
34	II15	40/25	
8	MTFa	47/U	
9	QTFa	47/AB	
34	II18	37/25	

TITLE
A-FB BOARD POS 8,9,34,
INITIAL INSTRUCTIONS
WAVEFORM AMPLIFIERS

8

LATEST MI INCORPORATED: MI 2993 2998

ISSUE No.	2
ALTN. No.	1740
DATE	21.6.66
INITIALS	J.E.
PARTS LIST No.	
DRAWN	D&D
CHECKED	C.S. 608
APPROVED	
DATE	7.11.66

MATERIAL

FINISH

TOLERANCES
DECIMAL ±
FRACTIONAL ±
ANGULAR DIMENSIONS ±
UNLESS OTHERWISE STATED

ELLIOTT BROTHERS (LONDON), LTD

TITLE
A-FB BOARD POS 8,9,34,
INITIAL INSTRUCTIONS
WAVEFORM AMPLIFIERS

SCALE
DRAWING No.
322D 5225